

# Arduino Sensors Makeshop

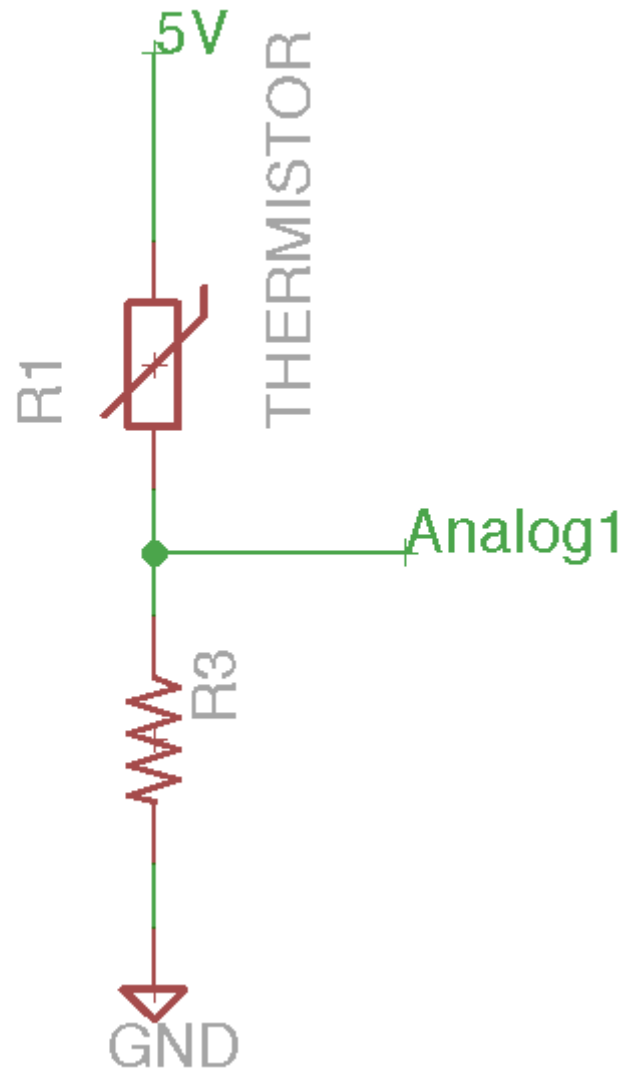
2011 April 16  
2:00-6:00 PM



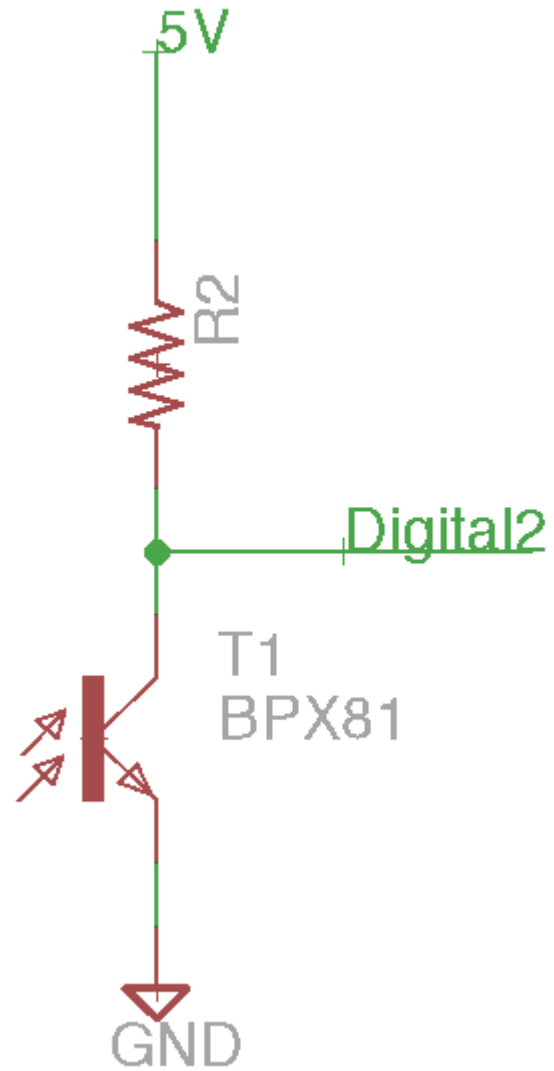
# The plan for today

- A brief overview of the sensors we have
- Making things

# Resistive sensors

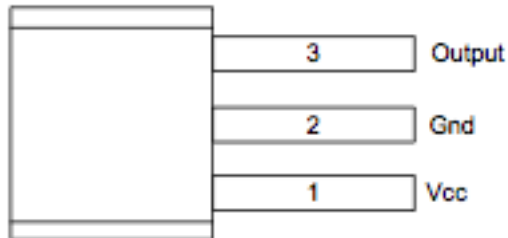


# Phototransistors

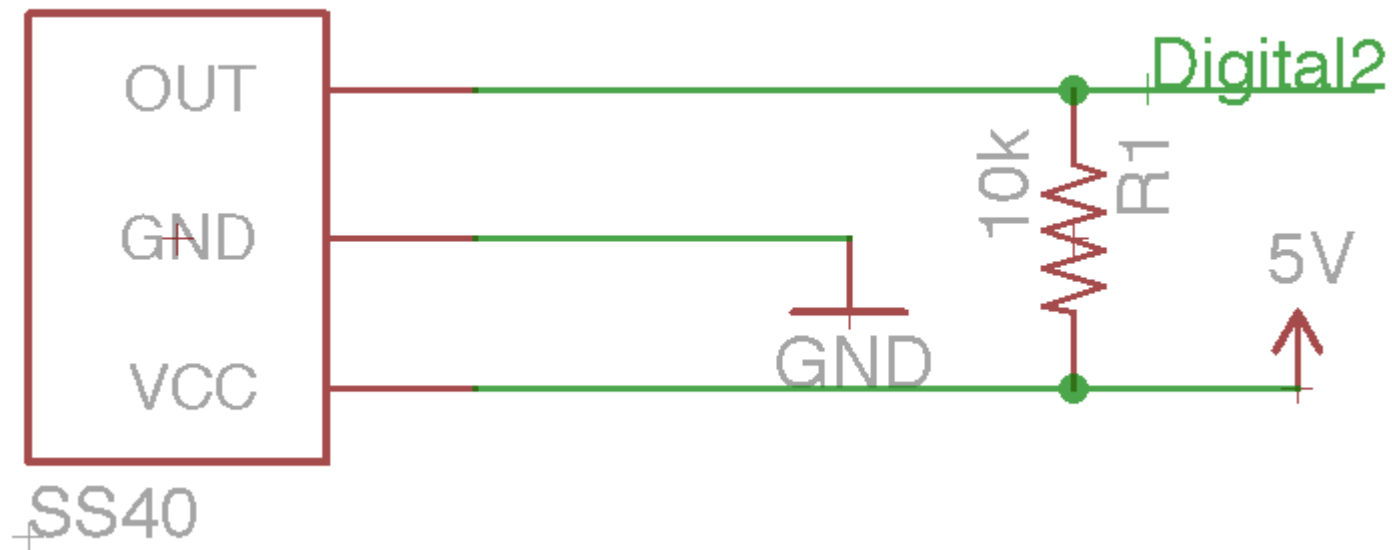


# Hall Effect Sensors

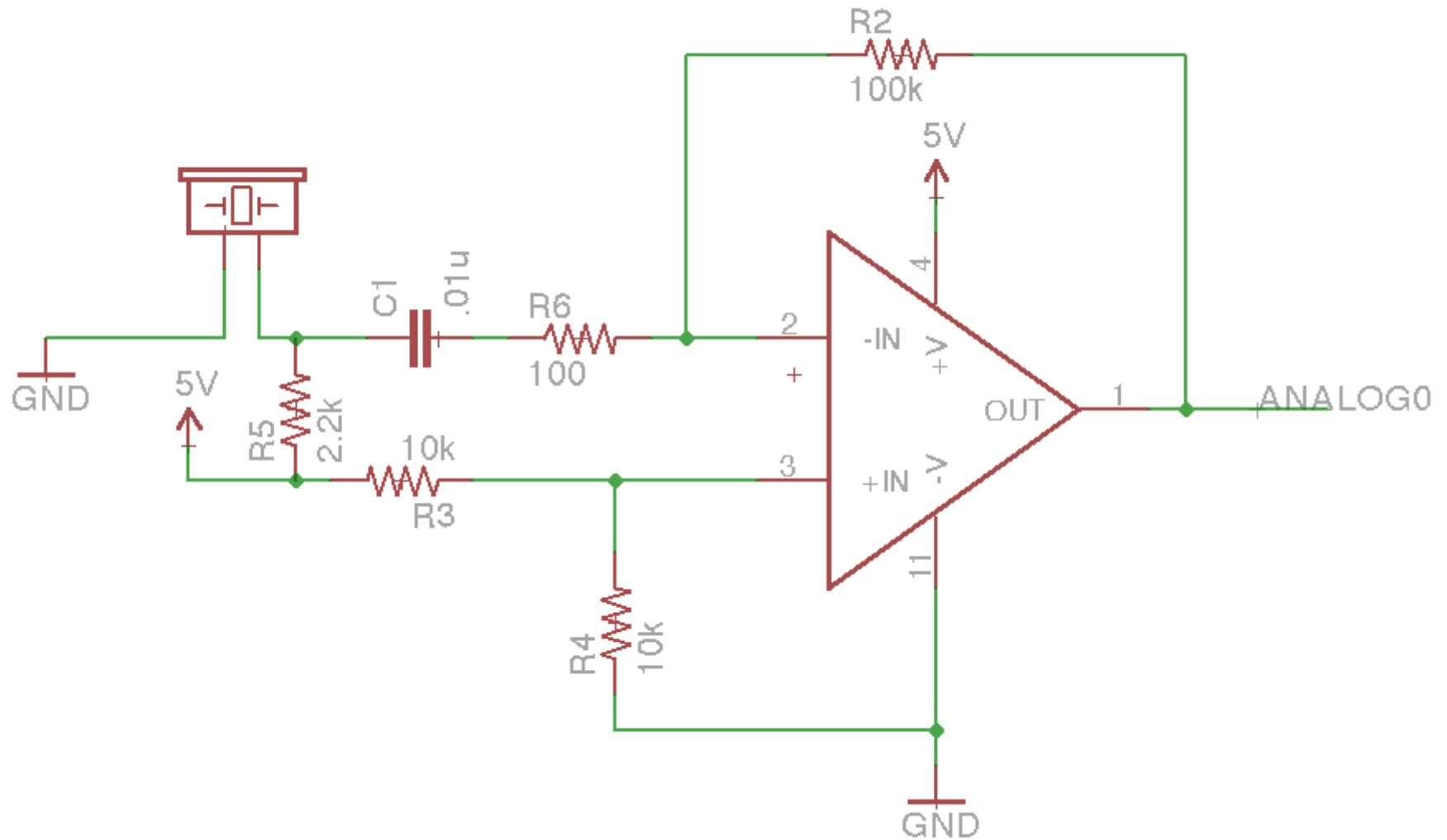
(Top View)



Name	No.	Status	Description
Vcc	1	P	IC Power Supply
Gnd	2	P	IC Ground
Output	3	O	It is low state during the N magnetic field



# Electret Microphones



# Op-Amp pinout

